



SOLAR E-CHARGER
E-BIKE PV RECHARGE SYSTEM



**TYPE 1. STAND ALONE
NOT GRID CONNECTED**



**TYPE 2. PLUG & PLAY
GRID CONNECTED**

**INTEGRATED ORIGINAL 4A CHARGERS
BOSCH, YAMAHA, SHIMANO,
others also available**

**RECHARGE UPTO 3 E-BIKES
AT THE SAME TIME**

**OPTIMAL 45° INCLINATION
OF THE PV MODULE**

PARKING FOR 3 E-BIKES

**4 WHEELS
(OPTIONAL)**

**CUSTOMIZABLE PANELS
(OPTIONAL)**



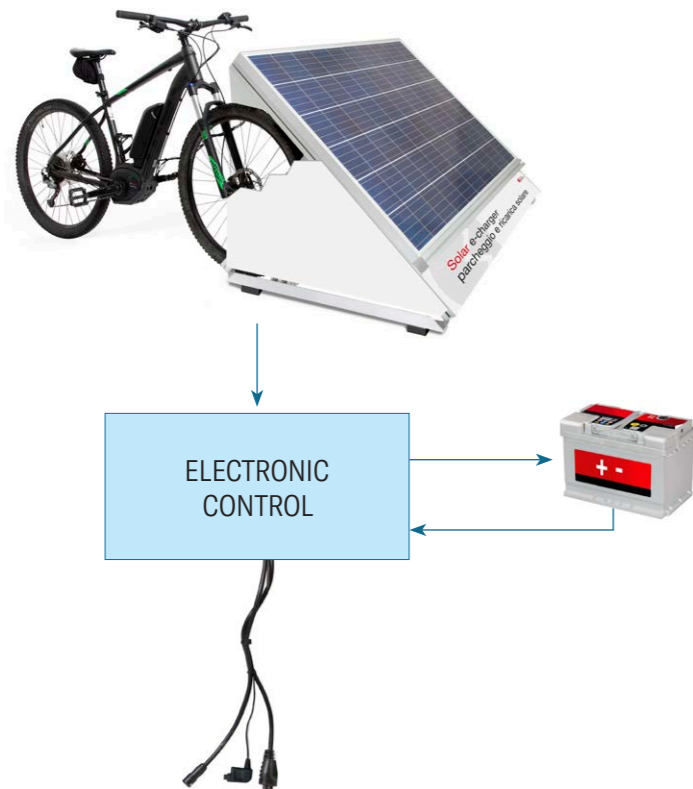
TYPE 1.
STAND ALONE WITH NOT GRID CONNECTED

OPTIMAL 45° INCLINATION
OF THE PV MODULE

INTEGRATED BATTERY CHARGER

It is therefore NOT necessary to have your own charger as each station is set up with 3 original 4A chargers: 1 Bosch, 1 Yamaha and 1 Shimano (also available Brose, Polini and others). The 3 chargers can be mixed as request.

- recharges 3 e-bikes at the same time
- 1 monocrystalline PV module
- charge controller for the storage batteries
- customizable communication lateral panels (optional)
- easy maintenance
- modular
- ideal for isolated areas without electricity, refuges, mountain pastures, parks, bike paths



BOSCH, YAMAHA, SHIMANO
(also available BROSE, POLINI and others)



TYPE 2. CONNECTED TO ENERGY NETWORK

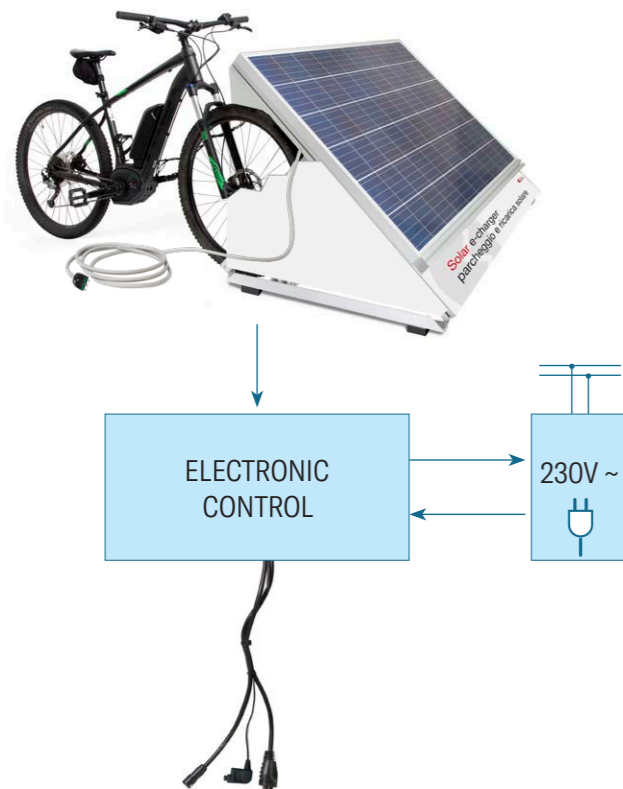
L'energia elettrica NON autoconsumata viene immessa in rete e remunerata in modalità "scambio sul posto".

OPTIMAL 45° INCLINATION OF THE PV MODULE

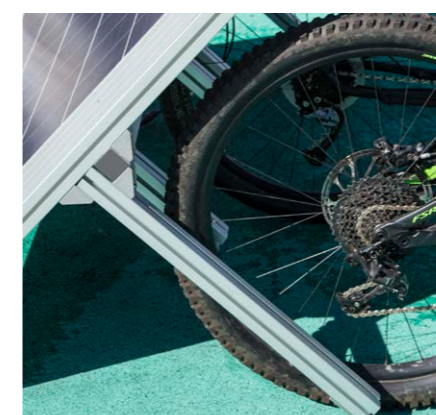
INTEGRATED BATTERY CHARGER

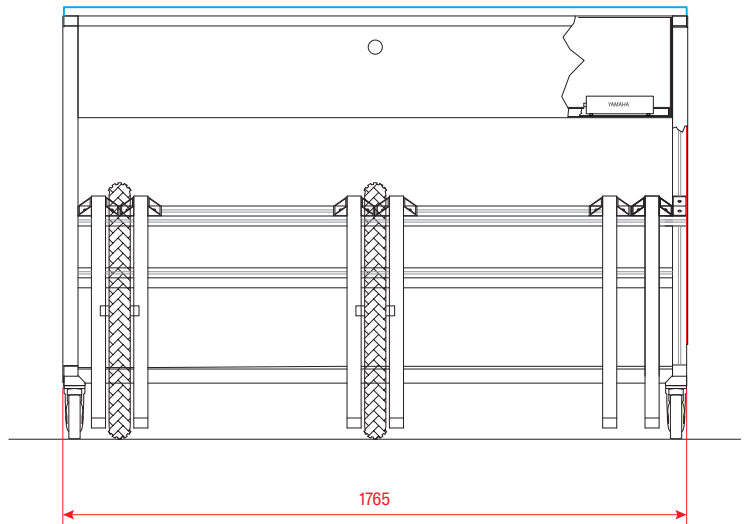
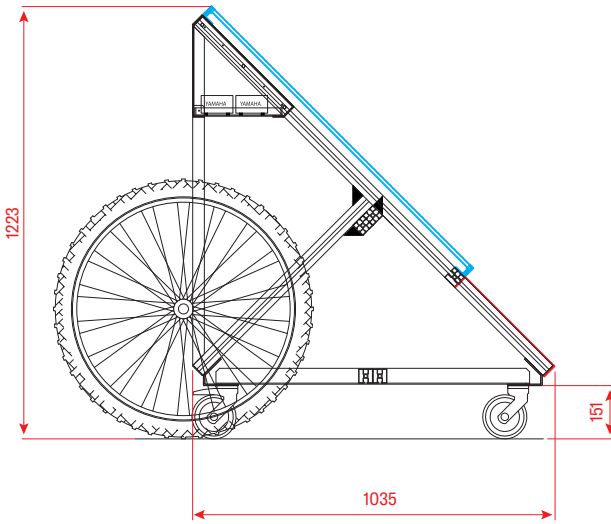
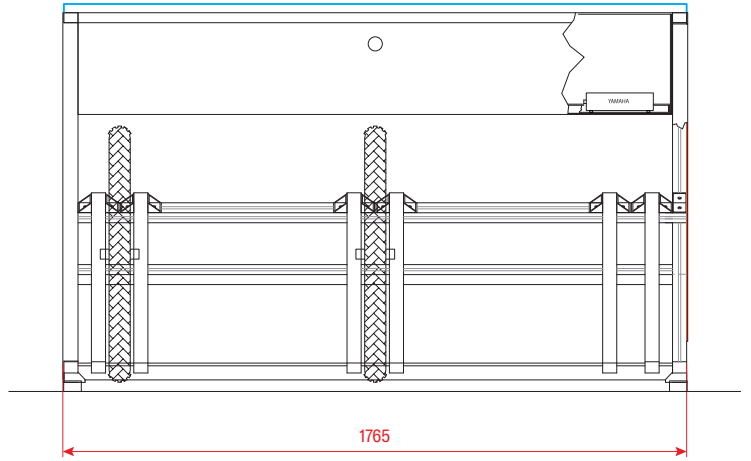
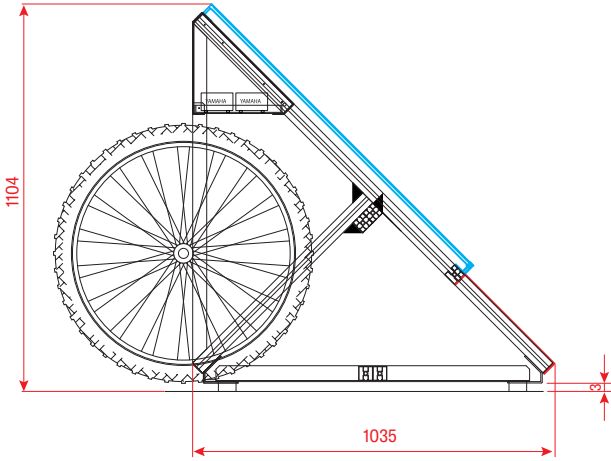
It is therefore NOT necessary to have your own charger as each station is set up with 3 original 4A chargers: 1 Bosch, 1 Yamaha and 1 Shimano (also available Brose, Polini and others). It is possible to install up to 6 chargers mixed as request.

- recharges 3 e-bikes at the same time
- 1 PV monocrystalline module
- customizable communication lateral panels (optional)
- easy maintenance
- modular
- ideal for public areas, parkings, supermarkets, hotels, camping sites, schools, residential building



BOSCH, YAMAHA, SHIMANO
(also available BROSE, POLINI and others)





TYPE 1. 134 KG
TYPE 2. 91 KG



PATENTED



Solar Retrofit Sagl
 Viale Verbano 7
 6602 Locarno Muralto (CH)
 Tel. +41 (0)91 7519641
 Mobile +39 335 6971695
www.solar-retrofit.ch
lanteri.e@solar-retrofit.ch

